

Rotadorm Max / Max Low

The stand-up bed for plus-size patients

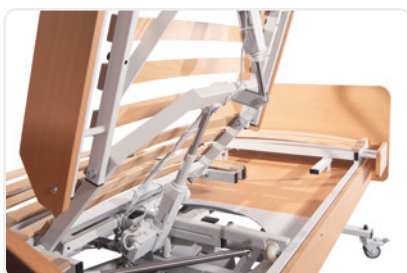
Max.
patient
weight
180 kg

Safe
working load
220 kg

3 lengths
adjustable:
200, 210 and
220 cm

Height
adjustment
range
34 - 78 cm or
40 - 80 cm

Direction
of rotation
possible on
both sides



◀ The independently controllable neck support ensures greater sitting and lying comfort and can provide ergonomic support when getting up (left image).

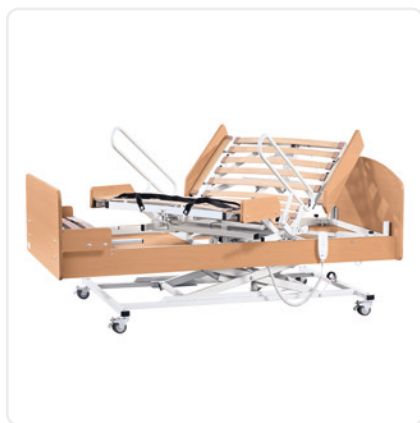
◀ Beech-look side panelling creates a cosy, homely ambience.


The Max version of our **Rotadorm bed series** offers larger patients, over 165 cm / 5'5" tall stability in everyday life, whether sleeping or getting up. The Max Low version is ideal for those larger people under 165 cm / 5'5" tall.

Product details

- | 100 cm wide lying surface, adjustable to three lengths
- | Under-bed clearance: Rotadorm Max: 9 cm · Rotadorm Max Low: 2 cm (height increase possible, please inquire)
- | Height, head section, neck section, thigh support, lower leg support and turning mechanism individually electronically adjustable
- | 2-section heavy-duty foam mattress with incontinence cover (optional)
- | 6-section lying surface with wooden slats
- | Patient lifting pole with grab handle (optional)
- | Removable hand rails in frame colour
- | Programming and user hand control
- | Optional battery backup
- | Stable scissor lift system
- | Individually braked double swivel castors
- | Emergency release for rotating mechanism for Rotadorm Max Low

Product images



The product images on this page show both the version of the Rotadorm Max with a height adjustment range of 40 - 80 cm, and the version Max Low (images are marked accordingly) with a height adjustment range of 34 - 78 cm. In addition, in the images you can see the version of Rotadorm Max with mattress both with and without a white sheet (with built in pillow case) - the sheet is optionally available. The final product changes visually due to optional equipment (to be found in the "Extra equipment/optional" section), such as the battery pack. If you have any questions regarding an order, please do not hesitate to contact us .

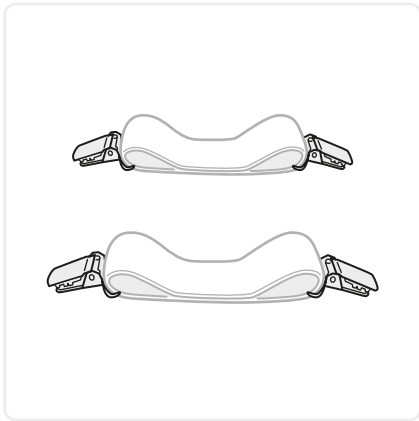
Technical data

- | Mattress width: 100 cm
- | Mattress length: 200 / 210 / 220 cm
- | Bed height: 40 - 80 / 34 - 78 cm
- | Max. patient weight: 180 kg
- | Safe working load: 220 kg

Extra equipment / optional

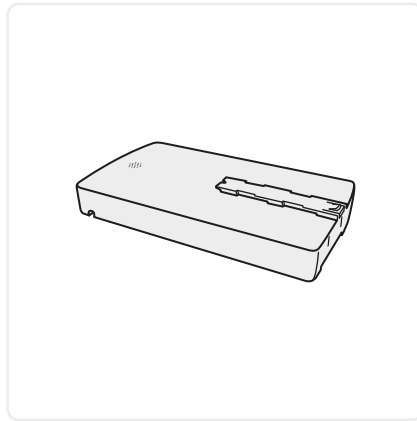
- | **Rotadorm Max (bed height: 40 - 80 cm)**
- | **Rotadorm Max Low (bed height: 34 - 78 cm)**
- | Lying surface dimension: 100 x 200 cm · 100 x 210 cm · 100 x 220 cm
- | Turningside: left / right
- | **Infrared control**
- | **Patient lifting pole with grab handle (NS-024-5)**
provides secure and stable support to make it easier to sit up or change position in bed
- | **Cover for handle receptacle (SI-011.80.725)**
enables getting out of bed to the side
- | **Transport rack (TRANSP-08)**
to assist with transport, deposit € 300
- | **Battery pack with charging circuit (SI-012.85.120)**
safety equipment for power failure - all electrical functions can thus be returned to the initial position even without mains voltage
- | **Pillow clips (SI-038-0)**
only needed for bed sheets in special colours - securing the pillow in position when the headrest is raised to aid comfort and convenience
- | **Bed sheet - additional colours**
see page 8 (pillow clips required)
- | **Bedside cabinets (OM-011-B / OM-021-B)**
bedside cabinets with table top, fixed height or height-adjustable
- | **Alternating pressure system**
SLK III digital - alternating pressure system
- | **Mattress**
Prime-Care / Combi-Care / Bariatric-Memory

Extra equipment / optional

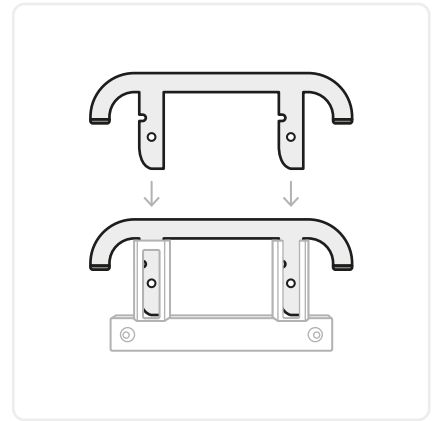


Pillow clips

for bed sheets in special colours



**Battery pack
with charging circuit**



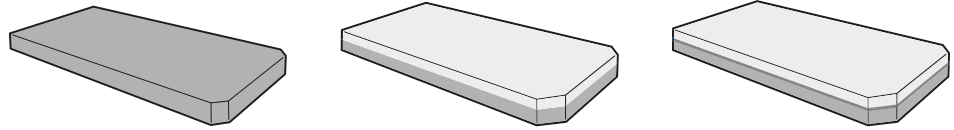
Cover for handle receptacle



Transport rack

Mattresses*

Available mattresses

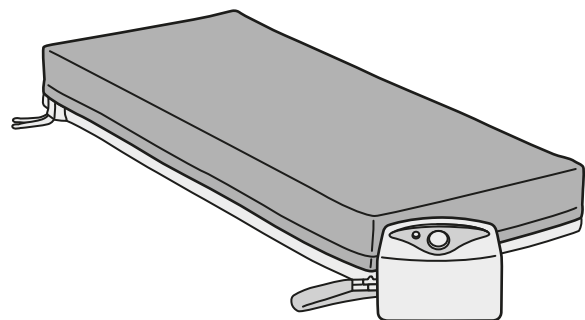


Description	Prime-Care	Combi-Care	Bariatric-Memory
Height	12 cm	15 cm	16 cm
Pressure ulcer prophylaxis up to grade 2 (preventive)	✓	✓	✓
Material	SoliCore HRC	SoliCore HRC + SensiDense	SoliCore HRC + SensiDense
Volume weight	45 kg/m ³	45 kg/m ³ + 52 kg/m ³	50 + 5 + 60 kg/m ³
Visco-elastic	×	✓	✓
Patient weight	up to 140 kg	up to 140 kg	up to 180 kg

Alternating pressure system*

Alternating pressure system for decubitus prophylaxis and therapy

- | Static and alternating pressure mode
- | CPR function for resuscitation
- | Large-cell mattress overlay system
- | From low to high risk
- | Optical low pressure alarm
- | Patient weight: 40 - 195 kg
- | Height: 21 cm



* The size of the mattress and the alternating pressure system depends on the length of the respective bed. The right size is selected by the ISKMed team.

Bedside cabinets*



Bedside cabinet with table top

(Dimensions: 34 x 57 x 88 cm)

(Table top: 59 x 33 cm)



Bedside cabinet with table top (height-adjustable)

(Dimensions: approx. 34 x 68 x 88 cm)

(Table top: 57 x 34 cm)

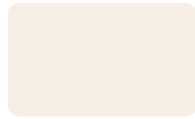
*The colours of the bedside cabinets are perfectly matched to the Rotadorm Care and Mobil.

Bed sheets in special colours

(Pillow clips required)



White



Ecru



Natural



Taupe



Pebble



Silver



Gold



Apple



Bamboo



Azure



Navy



Burgundy



Mocha



Espresso



Graphite



Black

Please note that due to technical limitations, the colours of the bed sheets cannot be displayed exactly in the swatches shown here. In addition, the use of different display technologies and your individual display settings can lead to distortions in the colour representation. The names of the colours serve an additional definition of the actual colour.