

Multidorm Dekuflex

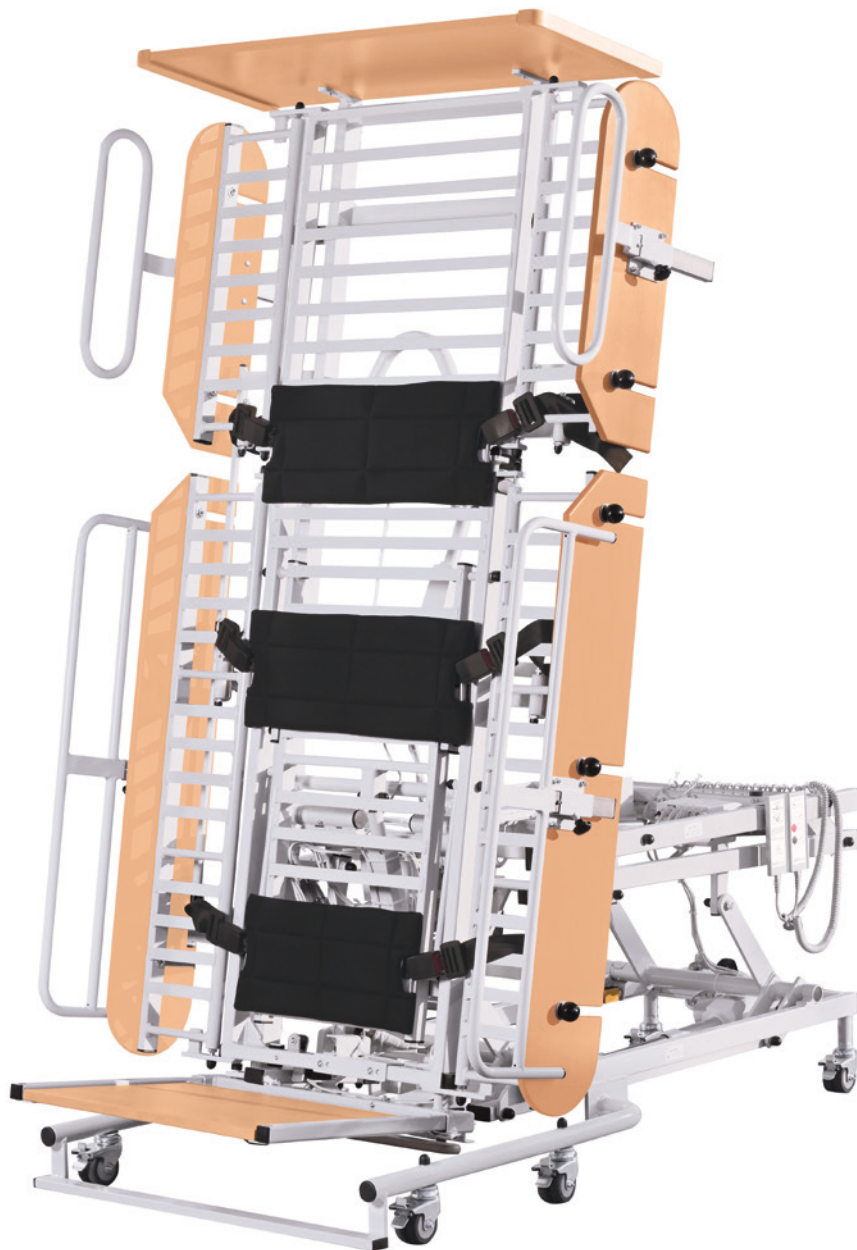
The stand-turn bed

Max.
patient
weight
135 kg

Safe
working load
175 kg

Dimensions:
110 x 205 cm

Height
adjustment
range
44 - 82 cm



◀ The bed can be tilted sideways by up to 30° horizontally. For better visibility of the inclination, in the image the footplate is shown slightly transparent.

▶ The clamping system of the side panels and side rails can be released without tools to ensure quick access to the patient.



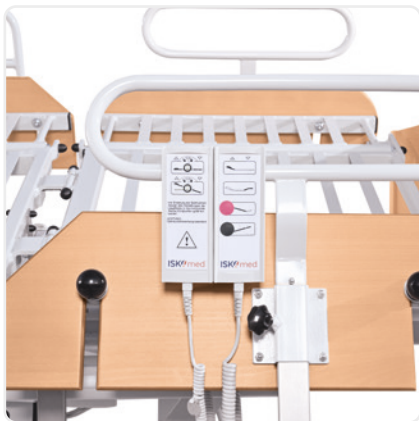
The **Multidorm Dekuflex** offers decubitus prophylaxis and standing training. With its lateral inclination capability, the stable bed is an alternative to the alternating pressure system, especially if the patient has also been prescribed standing training. For standing training, the special bed can be raised from a horizontal through to a vertical plane up to an angle of 85°.

Product details

- | Single bed with enlarged lying surface
- | Lateral tilt up to 30°
- | Height-adjustable metal side rails
- | 3-part patient support system enabling secure standing position
- | Quickly removable side elements
- | Verticalisation unit with side bearing function
- | Individually braked double swivel castors



Product images



The product images on this page show the standard version of the standing and rotating bed. The final product changes visually due to optional equipment ("Extra equipment/optional" on next page), such as a belt system made of imitation leather. If you have any questions regarding an order, please do not hesitate to [contact us](#) ✉.

Technical data

- | Mattress width: 110 cm
- | Mattress length: 205 cm
- | Bed height: 44 – 82 cm
- | Max. patient weight: 135 kg
- | Safe working load: 175 kg

Extra equipment / optional

- | Belt system made from imitation leather (SB-032-5)
- | Head fixation (SB-181-0)