

# Rotadorm Vario

The installation frame with stand-up function

Max.  
patient  
weight  
up to 135 kg

Safe  
working load  
up to 175 kg

Height  
adjustment  
range  
40 - 80 cm

For bed frames  
with a width  
of 90 cm

Direction  
of rotation  
possible on  
both sides



◀ The stand-up function of the Vario version of our Rotadorm bed series can also be customised to the patient and saved.

▶ With a special installation frame placed in any bed, a care bed can be created that perfectly matches the interior design style.



The **Rotadorm Vario** is a special installation frame which, in addition to the usual comfortable functions of ISKMed nursing beds, also has a turn/sit and stand-up function. The frame fits perfectly into an existing bed frame and offers patients and carers every comfort in everyday care. The Rotadorm Vario can be used in a single or double bed.


## Product details

- | High-quality 6-motor nursing bed system
- | Length individually adjustable: 200 and 220 cm
- | Under-bed clearance: 9 cm
- | 2-section special foam mattress with incontinence cover (optional)
- | 6-section lying surface with wooden slats
- | Patient lifting pole with grab handle (optional)
- | Variable adjustable mattress support brackets
- | Programming and user hand control

## Product images



special installation frames

The product images on this page show the optional version with castors. The standard version of the special installation frame is supplied with base columns. The final product changes visually due to optional equipment ("Extra equipment/optional" on next page), such as a pull handle. If you have any questions regarding an order, please do not hesitate to **contact us** .

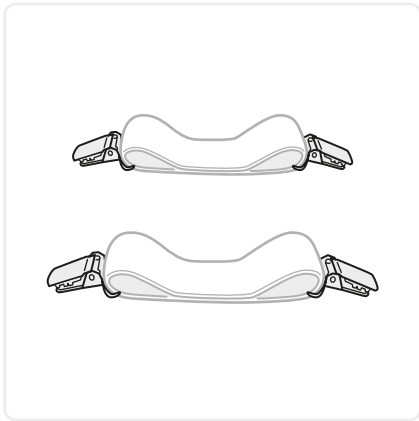
## Technical data

- | Mattress width: 85 cm
- | Mattress length: 200 – 220 cm
- | Bed height: 40 – 80 cm
- | Max. patient weight: 135 kg
- | Safe working load: 175 kg

## Extra equipment / optional

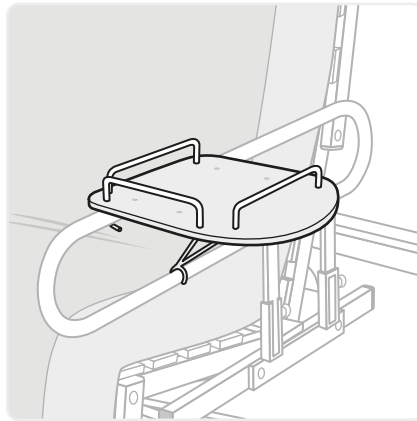
- | Turningside: left / right
- | **Infrared control**
- | **Patient lifting pole with grab handle (NS-024-5)**  
provides secure and stable support to make it easier to sit up or change position in bed
- | **Grab handle (SI-011.85.307)**  
serves as a positioning aid in the bed, is mounted on the headboard
- | **Cover for handle receptacle (SI-011.80.725)**  
enables getting out of bed from the side
- | **Table (SI-132-0)**  
serves as storage option during sitting position, mounting on hand rail over wire frame, dimensions: 365 x 265 x 10 mm
- | **Transport rack (TRANSP-08)**  
to assist with transport, deposit € 300
- | **Battery pack with charging circuit (SI-012.85.120)**  
safety equipment for power failure – all electrical functions can thus be returned to the initial position even without mains voltage
- | **Pillow clips (SI-038-0)**  
only needed for bed sheets in special colours – securing the pillow in position when the headrest is raised to aid comfort and convenience
- | **Bed sheet - additional colours**  
see page 8 (pillow clips required)
- | **Bedside cabinets (OM-011-B / OM-021-B)**  
bedside cabinets with table top, fixed height or height-adjustable
- | **Alternating pressure system**  
SLK III digital – alternating pressure system
- | **Mattress**  
Prime-Care / Combi-Care

## Extra equipment / optional

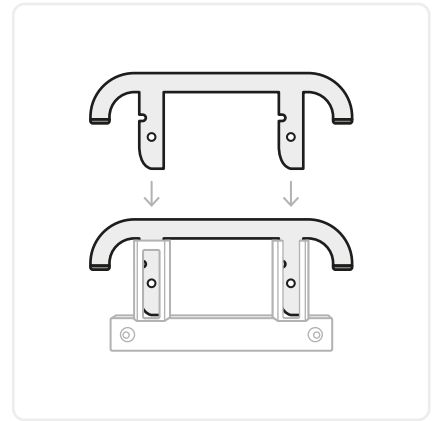


**Pillow clips**

for bed sheets in special colours



**Table**



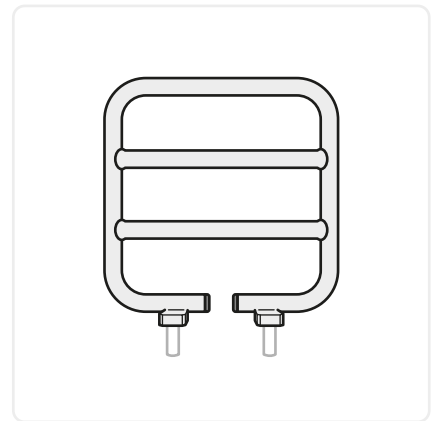
**Cover for handle receptacle**



**Battery pack  
with charging circuit**



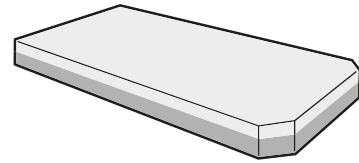
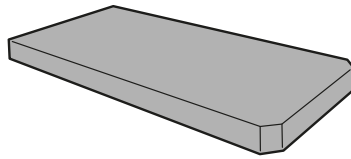
**Transport rack**



**Grab handle**

## Mattresses\*

Available mattresses

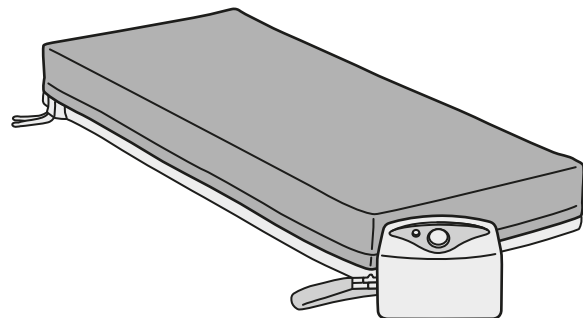


Description	Prime-Care	Combi-Care
Height	12 cm	15 cm
Pressure ulcer prophylaxis up to grade 2 (preventive)	✓	✓
Material	SoliCore HRC	SoliCore HRC + SensiDense
Volume weight	45 kg/m <sup>3</sup>	45 kg/m <sup>3</sup> + 52 kg/m <sup>3</sup>
Visco-elastic	×	✓
Patient weight	up to 140 kg	up to 140 kg

## Alternating pressure system\*

Alternating pressure system for decubitus prophylaxis and therapy

- | Static and alternating pressure mode
- | CPR function for resuscitation
- | Large-cell mattress overlay system
- | From low to high risk
- | Optical low pressure alarm
- | Patient weight: 40 - 195 kg
- | Height: 21 cm



\* The size of the mattress and the alternating pressure system depends on the length of the respective bed. The right size is selected by the ISKOMed team.

## Bedside cabinets\*



### Bedside cabinet with table top

(Dimensions: 34 x 57 x 88 cm)

(Table top: 59 x 33 cm)



### Bedside cabinet with table top (height-adjustable)

(Dimensions: approx. 34 x 68 x 88 cm)

(Table top: 57 x 34 cm)

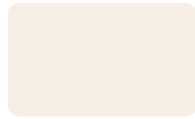
\*The colours of the bedside cabinets are perfectly matched to the Rotadorm Care and Mobil.

## Bed sheets in special colours

(Pillow clips required)



White



Ecru



Natural



Taupe



Pebble



Silver



Gold



Apple



Bamboo



Azure



Navy



Burgundy



Mocha



Espresso



Graphite



Black

Please note that due to technical limitations, the colours of the bed sheets cannot be displayed exactly in the swatches shown here. In addition, the use of different display technologies and your individual display settings can lead to distortions in the colour representation. The names of the colours serve an additional definition of the actual colour.