

# Rotadorm Low

The stand-up bed for smaller patients



Max.  
patient  
weight  
135 kg

Safe  
working load  
175 kg

3 lengths  
adjustable:  
200, 210 and  
220 cm

Height  
adjustment  
range  
34 - 78 cm

Direction  
of rotation  
possible on  
both sides



◀ The mattress base can be turned in and out manually using the emergency release on the rotary motor.

▶ The special low-floor design enables particularly low entry and exit and is therefore particularly suitable for smaller patients under 165 cm tall.

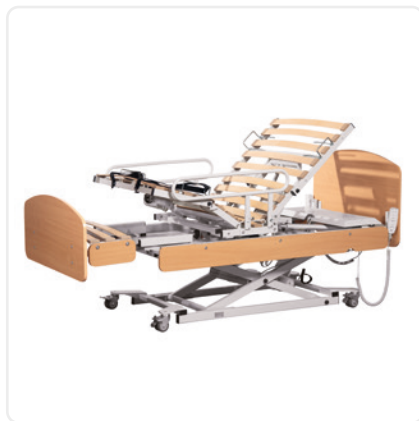



The **Rotadorm Low** was developed as a stand-up bed for people under 165 cm / 5'5" tall. It offers all the functionalities of the Rotadorm series, such as individually adjustable frame elements and the option of saving all individual settings for daily use.

## Product details

- | 85 cm wide lying surface, adjustable to three lengths
- | Under-bed clearance: 2 cm (height increase possible, please inquire)
- | For individual stand-up procedure with low seat height
- | Height, head section, neck section, thigh support, lower leg support and turning mechanism individually electronically adjustable
- | 2-section special foam mattress with incontinence cover (optional)
- | 6-section lying surface with wooden slats
- | Patient lifting pole with grab handle (optional)
- | Removable hand rails in frame colour
- | Programming and user hand control
- | Optional battery backup
- | Stable scissor lift system
- | Individually braked double swivel castors

## Product images



The product images on this page show the standard version of the stand-up bed. The final product changes visually due to optional equipment ("Extra equipment/optional" on next page), such as a pull handle. If you have any questions regarding an order, please do not hesitate to contact us .

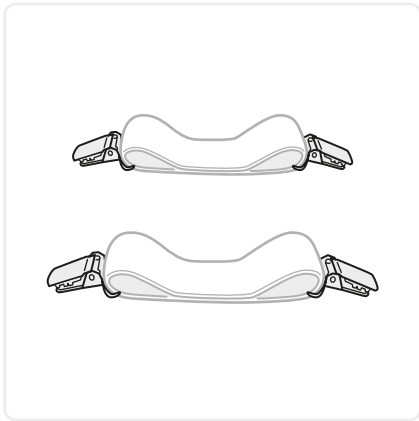
## Technical data

- | Mattress width: 85 cm
- | Mattress length: 200 / 210 / 220 cm
- | Bed height: 34 – 78 cm
- | Max. patient weight: 135 kg
- | Safe working load: 175 kg

## Extra equipment / optional

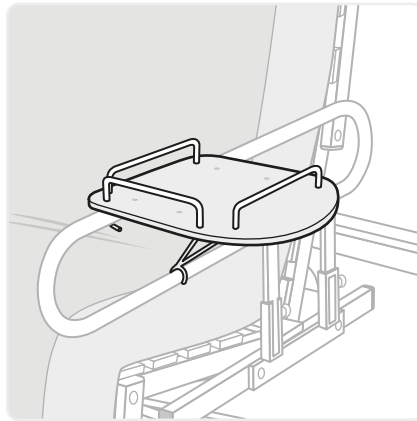
- | Lying surface dimension: 85 x 200 cm (SI-012-1) · 85 x 210 cm (SI-012-21) · 85 x 220 cm (SI-012-22)
- | Turningside: left / right
- | **Infrared control**
- | **Patientenaufrichter mit Handgriff (NS-024-5)**  
bietet eine sichere und stabile Unterstützung, um das Aufrichten oder den Positionswechsel im Bett zu erleichtern
- | **Grab handle (SI-011.85.307)**  
serves as a positioning aid in the bed, is mounted on the head end of the bed frame
- | **Cover for handle receptacle (SI-011.80.725)**  
enables getting out of bed to the side
- | **Table (SI-132-0)**  
serves as storage option during sitting posture, mounting on hand rail over wire frame, dimensions: 365 x 265 x 10 mm
- | **Transport rack (TRANSP-08)**  
to assist with transport, deposit € 300
- | **Battery pack with charging circuit (SI-012.85.120)**  
safety equipment for power failure – all electrical functions can thus be returned to the initial position even without mains voltage
- | **Pillow clips (SI-038-0)**  
only needed for bed sheets in special colours – securing the pillow in position when the headrest is raised to aid comfort and convenience
- | **Bed sheet - additional colours**  
see page 8 (pillow clips required)
- | **Bedside cabinets (OM-011-B / OM-021-B)**  
bedside cabinets with table top, fixed height or height-adjustable
- | **Alternating pressure system**  
SLK III digital – alternating pressure system
- | **Mattress**  
Prime-Care / Combi-Care

## Extra equipment / optional

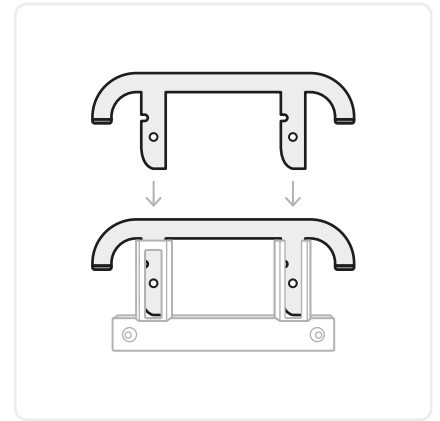


**Pillow clips**

for bed sheets in special colours



**Table**



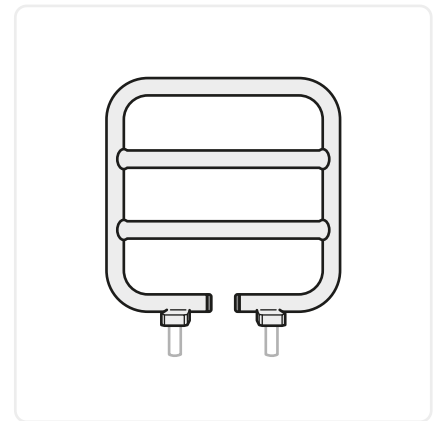
**Cover for handle receptacle**



**Battery pack  
with charging circuit**



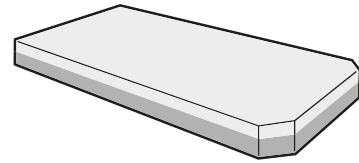
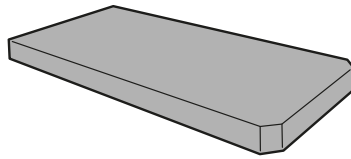
**Transport rack**



**Grab handle**

## Mattresses\*

Available mattresses

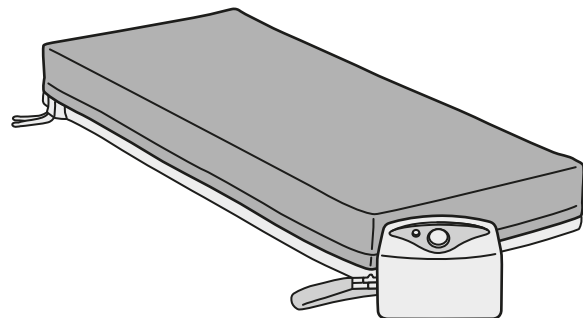


Description	Prime-Care	Combi-Care
Height	12 cm	15 cm
Pressure ulcer prophylaxis up to grade 2 (preventive)	✓	✓
Material	SoliCore HRC	SoliCore HRC + SensiDense
Volume weight	45 kg/m <sup>3</sup>	45 kg/m <sup>3</sup> + 52 kg/m <sup>3</sup>
Visco-elastic	×	✓
Patient weight	up to 140 kg	up to 140 kg

## Alternating pressure system\*

Alternating pressure system for decubitus prophylaxis and therapy

- | Static and alternating pressure mode
- | CPR function for resuscitation
- | Large-cell mattress overlay system
- | From low to high risk
- | Optical low pressure alarm
- | Patient weight: 40 - 195 kg
- | Height: 21 cm



\* The size of the mattress and the alternating pressure system depends on the length of the respective bed. The right size is selected by the ISKOmed team.

## Bedside cabinets\*



### Bedside cabinet with table top

(Dimensions: 34 x 57 x 88 cm)

(Table top: 59 x 33 cm)



### Bedside cabinet with table top (height-adjustable)

(Dimensions: approx. 34 x 68 x 88 cm)

(Table top: 57 x 34 cm)

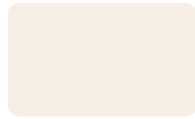
\*The colours of the bedside cabinets are perfectly matched to the Rotadorm Care and Mobil.

## Bed sheets in special colours

(Pillow clips required)



White



Ecru



Natural



Taupe



Pebble



Silver



Gold



Apple



Bamboo



Azure



Navy



Burgundy



Mocha



Espresso



Graphite



Black

Please note that due to technical limitations, the colours of the bed sheets cannot be displayed exactly in the swatches shown here. In addition, the use of different display technologies and your individual display settings can lead to distortions in the colour representation. The names of the colours serve an additional definition of the actual colour.