

Levaflex

The ergonomic standing frame

standing frames



Pivoting
rear wheels

Synchronised
operation
of belt and
tilt motor

Pneumatically
assisted
table height
adjustment

Max.
patient
weight
120 kg



◀ The tilt function makes it easier to get up and put down and is less stressful for the patient.

▶ The tilt and automatic seat belt functions can be switched synchronously or separately.



The **Levaflex** is the standing frame with the highest functionality. The arm rails, knee support and footplate are tilted towards the patient before standing up or sitting down, making the process easier. The patient's knees and behind are under less strain thanks to the tilt function, with the usual stability and safety.

Product details

- | Ergonomically adjustable knee guide
- | Table cut-out with ergonomic abdomen pad
- | Foot plate with heel cups and toe fixation
- | Electric belt system
- | Lift support harness (size S, M or L)
- | Sturdy tubular steel construction in blue
- | Wooden elements made of multiplex with high-strength HPL coating
- | Pivoting rear wheels
- | 4 double swivel castors with total locking


 **Product enquiry**
Levaflex

| **Aid number for German
health insurance companies:
28.29.01.1060**

Product images



standing frames

The product images on this page show the standard version of the standing frame. The final product changes optically due to optional equipment ("Extra equipment/optional" on next page), such as a 4-piece table edge made of beech. If you have any questions regarding an order, please do not hesitate to contact us .

Technical data

- | Total length: 100 – 103 cm
- | Table width: 64 cm
- | Total width: 73 – 78 cm
- | Table length: 58 cm
- | Tie bar height: 80 – 100 cm
- | Max. patient weight: 120 kg
- | Tie bar width: 49 cm
- | Min./Max. patient height: 140 – 200 cm
- | Table height: 100 – 132 cm

Extra equipment / optional

- | Lift support harness with seat support (5 cm), size “S” (KR-608-X)
- | Lift support harness with seat support (5 cm), size “M” (KR-607-X)
- | Lift support harness with seat support (5 cm), size “L” (KR-606-X)
- | Seat support of lift support harness: 10 cm (additional charge)
- | Non-slip surface with nubs for lift support harness (additional charge)
- | Sitting assistance for lift support harness (additional charge)
- | Support bar with hip supports (KR-620-X)
- | Upper body support incl. headrest (requires support bar for attachment) (KR-631-X)
- | Table top horizontally movable (KR-710-X)
- | Chest pad 15 cm (KR-744-X)
- | Chest pad 25 cm (KR-745-X)
- | Knee pads extra soft (KR-801-X)
- | Heel Velcro (KR-805-X)
- | Battery box (KR-703-X)
- | Table edge beech, 4-piece (KR-602-X)
- | Foot plate elevation
- | Special colours available (RAL colour system)

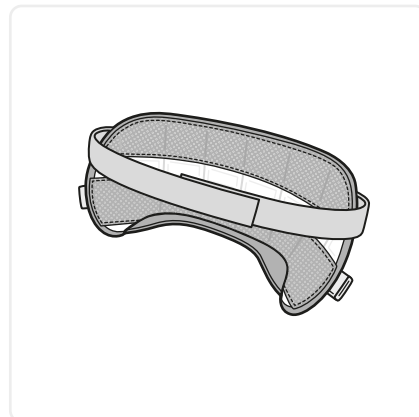
Extra equipment / optional



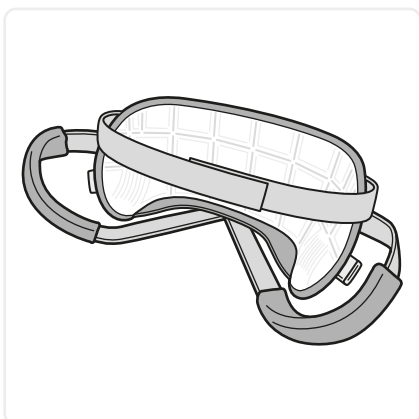
**Lift support harness
with seat support (5 cm)**



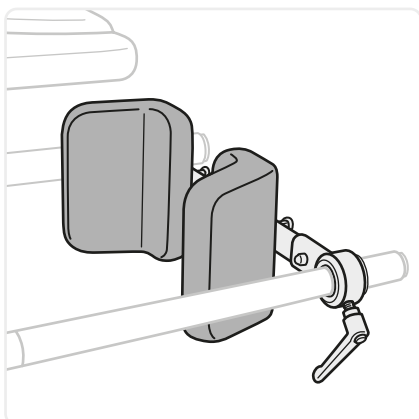
**Lift support harness
with seat support (10 cm)**



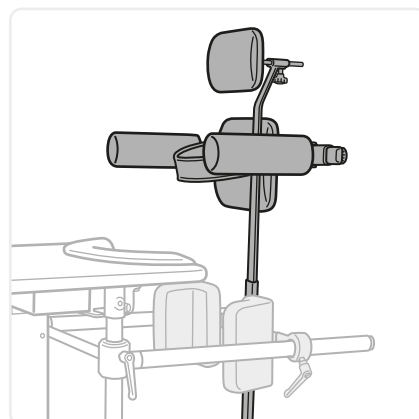
**Lift support harness
with rubber**



**Lift support harness
with sitting assist**



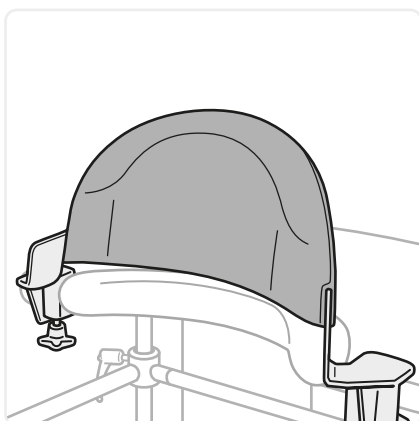
**Support bar
with hip supports**



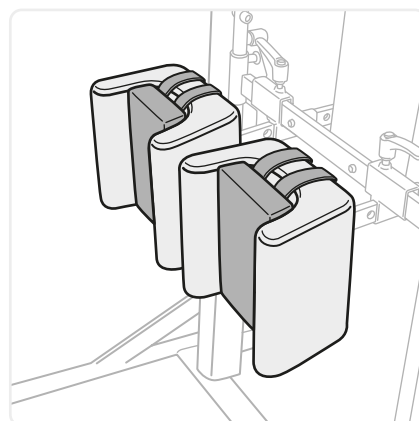
**Upper body support
incl. headrest**



Chest pad 15 cm



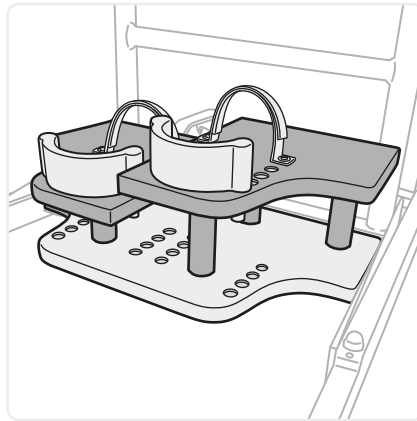
Chest pad 25 cm



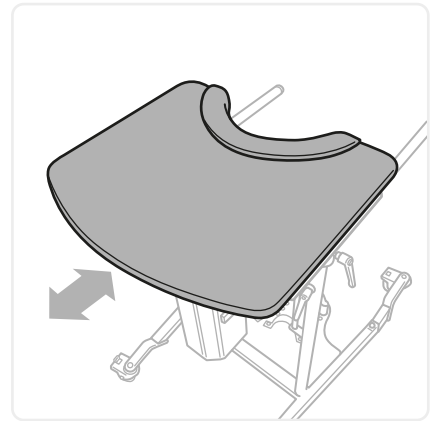
**Knee pads
extra soft**



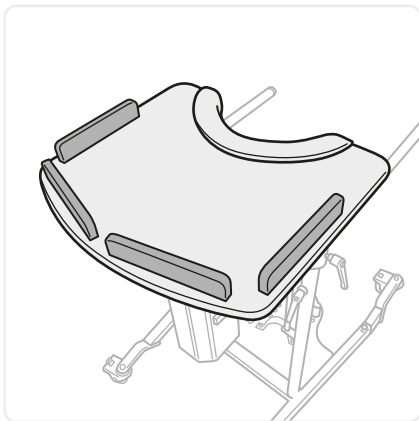
Heel Velcro



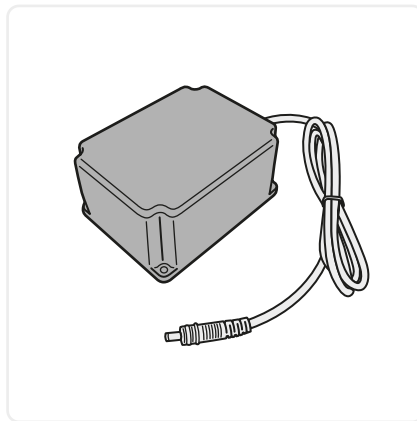
Foot plate elevation



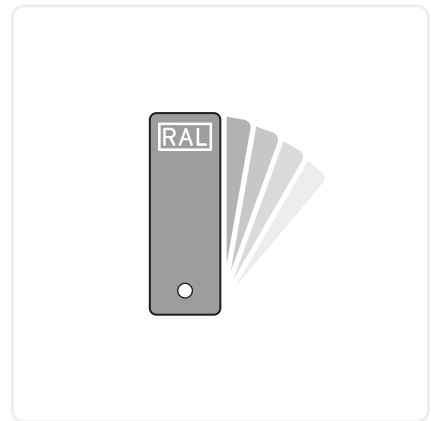
**Table top
horizontally movable**



**Table edge beech
4-piece**



Battery box



**Special colours available
(RAL colour system)**