

Levacare / Levacare Pro

The standing frame for rehab and your home



Height adjustable
harness system

Pneumatically assisted
table height adjustment

Stainless steel handrails
height-adjust. in parallel

Max.
patient weight
120 kg



◀ *The multifunctional knee pads are included as standard with all standing frames.*

They can be adjusted horizontally, vertically and in depth and have an integrated angle adjustment that adapts to the leg/knee position during use.

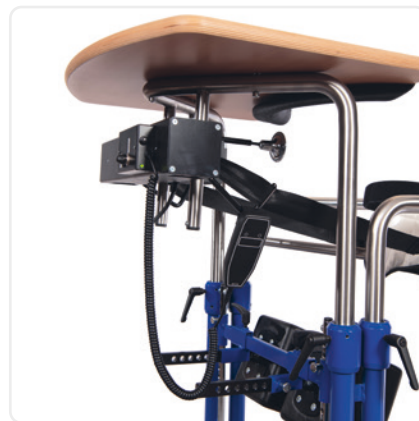



Standing frames are among the most important devices in rehabilitation and care. The stable design of the **Levacare** gives patients a firm, secure hold during their daily standing training. The standard version of the Levacare is supplied without a belt system, while the Pro version has an electric stand-up device.

Product details

- | Table cut-out with ergonomic abdomen pad
- | Foot plate with heel cups and toe fixation
- | Lift support harness (size S, M or L)
- | Sturdy tubular steel construction in blue
- | Wooden elements made of multiplex with high-strength HPL coating
- | 4 double swivel castors with total locking
- | Integrated suction-blow control on the Levacare Pro

Product images



The product images on this page show the Levacare Pro version of the standing frame and the Levacare version without the electric belt system. The final product also changes visually due to optional equipment ("Extra equipment/optional" on next page), such as a 4-part table edge made of beech. If you have any questions regarding an order, please do not hesitate to contact us .

Technical data

- | Total length: 118 cm
- | Table width: 66 cm
- | Total width: 77 cm
- | Table length: 59 cm
- | Tie bar height: 84 – 107 cm
- | Max. patient weight: 120 kg
- | Tie bar width: 48 cm
- | Min./Max. patient height: 120 – 200 cm
(smaller than 140 cm, a height-adjustable
foot plate KR-724-X must be ordered)
- | Table height: 100 – 130 cm

Extra equipment / optional

- | Levacare (KR-100-B) without belt system
- | Levacare Pro (KR-111-B) with electric belt system
- | Lift support harness with seat support (5 cm), size “S” (KR-608-X)
- | Lift support harness with seat support (5 cm), size “M” (KR-607-X)
- | Lift support harness with seat support (5 cm), size “L” (KR-606-X)
- | Seat support of lift support harness: 10 cm (additional charge)
- | Non-slip surface with nubs for lift support harness (additional charge)
- | Sitting assistance for lift support harness (additional charge)
- | Support bar with hip pads (KR-620-X)
- | Upper body support incl. headrest (requires support bar for attachment) (KR-631-X)
- | Table top horizontally movable (KR-710-X)
- | Foot plate horizontally movable (KR-720-X)
- | Foot plate horizontally adjustable and height adjustable (KR-724-X)
- | Chest pad 15 cm (KR-744-X)
- | Chest pad 25 cm (KR-745-X)
- | Knee pads extra soft (KR-801-X)
- | Heel Velcro (KR-805-X)
- | Table edge beech, 4-piece (KR-602-X)
- | Foot plate elevation
- | Special colours available (RAL colour system)

Extra equipment / optional



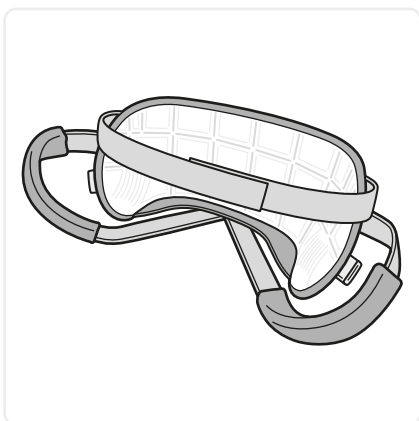
**Lift support harness
with seat support (5 cm)**



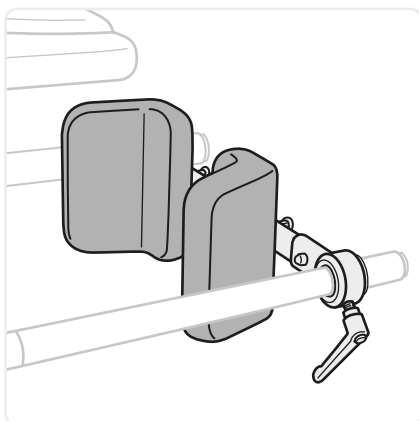
**Lift support harness
with seat support (10 cm)**



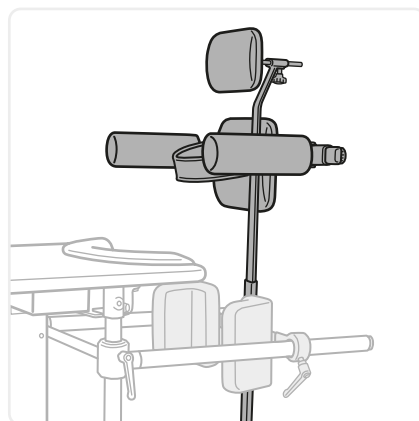
**Lift support harness
with rubber**



**Lift support harness
with sitting assist**



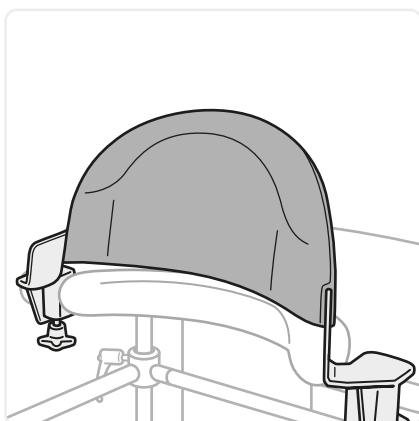
**Support bar
with hip supports**



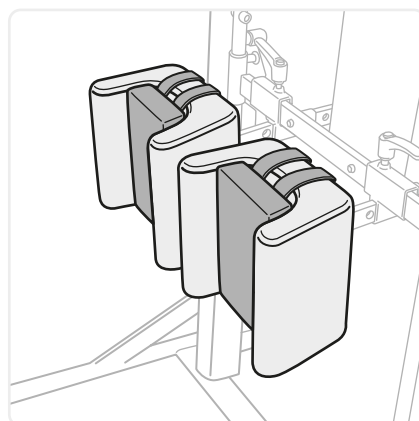
**Upper body support
incl. headrest**



Chest pad 15 cm



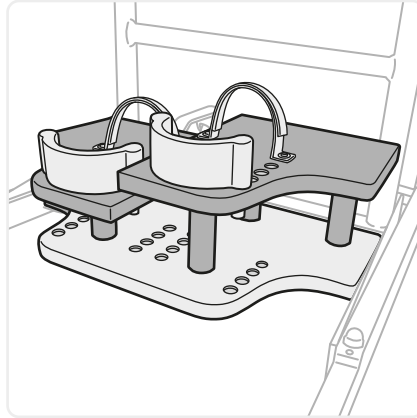
Chest pad 25 cm



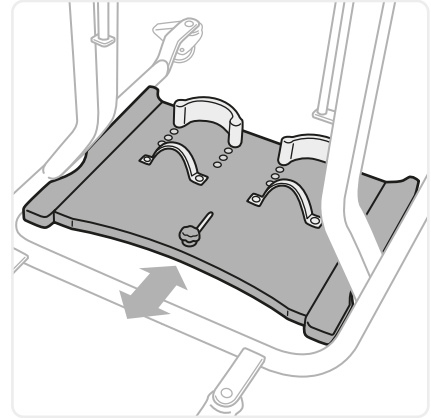
**Knee pads
extra soft**



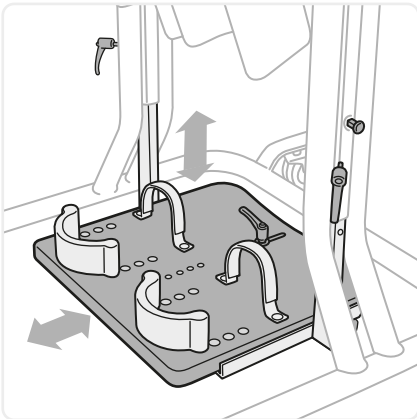
Heel Velcro



Foot plate elevation



Foot plate horizontally movable



Foot plate horizontally adjustable and height adjustable

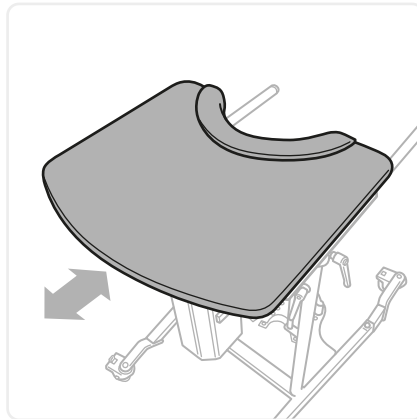


Table top horizontally movable

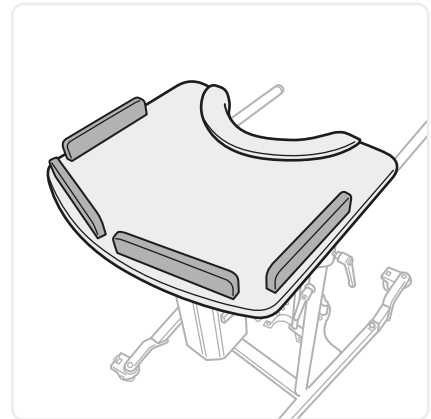
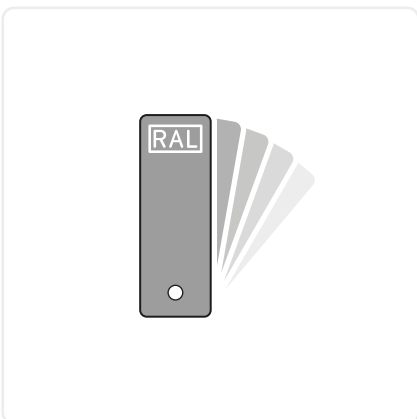


Table edge beech 4-piece



Special colours available (RAL colour system)