

Rotadorm Care

The classic stand-up bed

Max.
patient
weight
135 kg

Safe
working load
175 kg

In 3 lengths:
200, 210 and
220 cm

Direction
of rotation
possible on
both sides

Height
adjustment
range
40 - 80 cm



◀ With the Rotadorm bed series, the positions of the individual elements of the lying surface can be individually adjusted and programmed to the patient's needs.

The **Rotadorm Care** is the proven care bed with integrated stand-up function from ISKMed. With its high level of functionality, this registered aid provides support and relief in everyday life for both patients and carers.

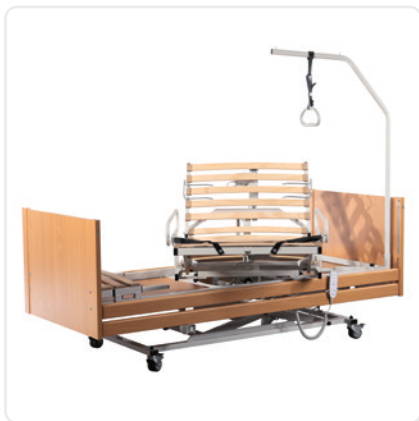
Product details

- | 85 cm wide single bed, available in 3 lengths
- | Under-bed clearance: 9 cm
- | Height, head section, neck section, thigh support, lower leg support and turning mechanism individually electronically adjustable
- | 2-section special foam mattress with incontinence cover (optional)
- | 6-section lying surface with wooden slats
- | Patient lifting pole with grab handle (optional)
- | Removable hand rails
- | Side rails with function lock
- | Programming and user hand control
- | Stable scissor lift system

 **Product enquiry**
Rotadorm Care

| **Aid numbers for
German insurances:
19.40.01.8003 health ins.
50.45.01.4003 nursing care**

Product images



The product images on this page show the standard version of the stand-up bed. The final product changes visually due to optional equipment ("Extra equipment/optional" on next page), such as an additional table. If you have any questions regarding an order, please do not hesitate to contact us .

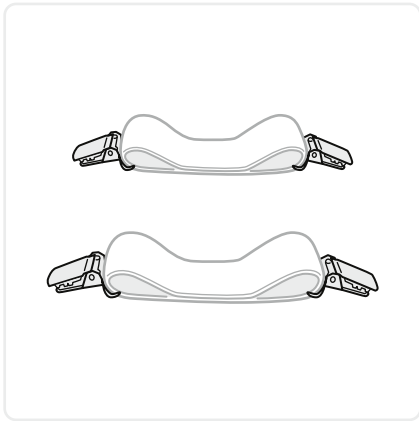
Technical data

- | Mattress width: 85 cm
- | Mattress length: 200 / 210 / 220 cm
- | Bed height: 40 – 80 cm
- | Max. patient weight: 135 kg
- | Safe working load: 175 kg

Extra equipment / optional

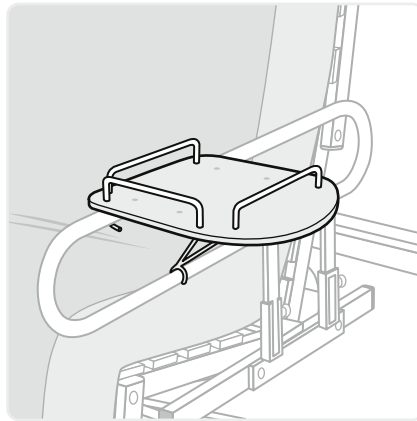
- | Lying surface dimension: 85 x 200 cm (SI-011-1) · 85 x 210 cm (SI-011-21) · 85 x 220 cm (SI-011-22)
- | Turningside: left / right
- | **Patient lifting pole with grab handle (NS-024-5)**
provides secure and stable support to make it easier to sit up or change position in bed
- | **Grab handle (SI-011.85.307)**
serves as a positioning aid in the bed, is mounted on the head end of the bed frame
- | **Cover for handle receptacle (SI-011.80.725)**
enables getting out of bed to the side
- | **Table (SI-132-0)**
serves as storage option during sitting posture, mounting on hand rail over wire frame, dimensions: 365 x 265 x 10 mm
- | **Transport rack (TRANSP-08)**
to assist with transport, deposit € 300
- | **Battery pack with charging circuit (SI-012.85.120)**
safety equipment for power failure – all electrical functions can thus be returned to the initial position even without mains voltage
- | **Pillow clips (SI-038-0)**
only needed for bed sheets in special colours – securing the pillow in position when the headrest is raised to aid comfort and convenience
- | **Bed sheet - additional colours**
see page 8 (pillow clips required)
- | **Bedside cabinets (OM-011-B / OM-021-B)**
bedside cabinets with table top, fixed height or height-adjustable
- | **Alternating pressure system**
SLK III digital – alternating pressure system
- | **Mattress**
Prime-Care (Standard) or Combi-Care

Extra equipment / optional

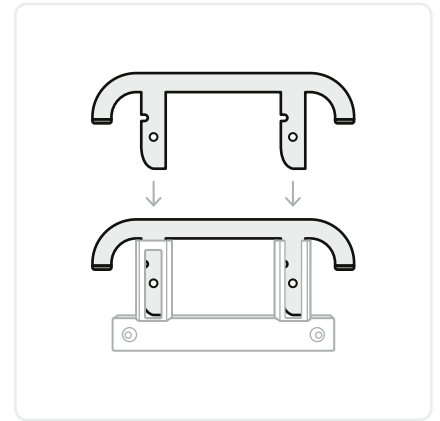


Pillow clips

for bed sheets in special colours



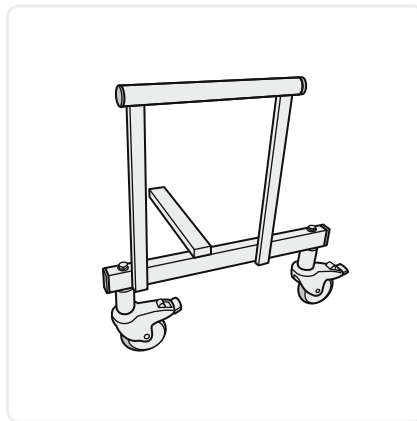
Table



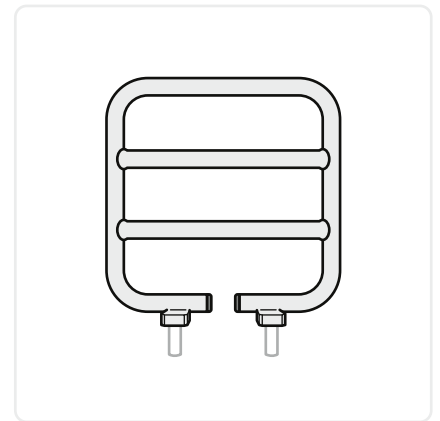
Cover for handle receptacle



**Battery pack
with charging circuit**



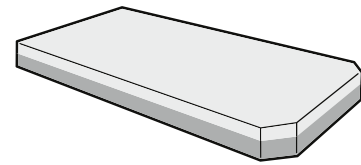
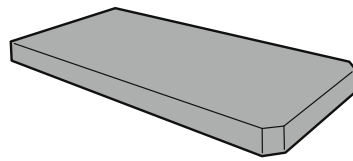
Transport rack



Grab handle

Mattresses*

Available mattresses
(Standard: Prime-Care)

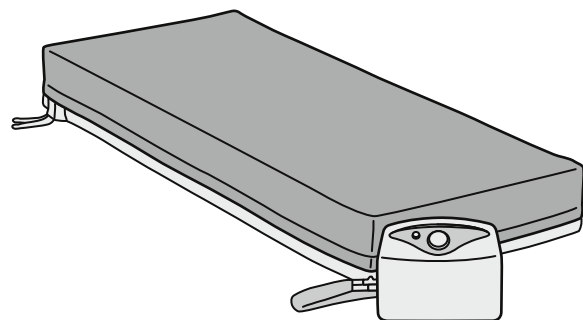


Description	Prime-Care	Combi-Care
Height	12 cm	15 cm
Pressure ulcer prophylaxis up to grade 2 (preventive)	✓	✓
Material	SoliCore HRC	SoliCore HRC + SensiDense
Volume weight	45 kg/m ³	45 kg/m ³ + 52 kg/m ³
Visco-elastic	×	✓
Patient weight	up to 140 kg	up to 140 kg

Alternating pressure system*

Alternating pressure system for decubitus prophylaxis and therapy

- | Static and alternating pressure mode
- | CPR function for resuscitation
- | Large-cell mattress overlay system
- | From low to high risk
- | Optical low pressure alarm
- | Patient weight: 40 - 195 kg
- | Height: 21 cm



* The size of the mattress and the alternating pressure system depends on the length of the respective bed. The right size is selected by the ISKMed team.

Bedside cabinets*



Bedside cabinet with table top

(Dimensions: 34 x 57 x 88 cm)

(Table top: 59 x 33 cm)



Bedside cabinet with table top (height-adjustable)

(Dimensions: approx. 34 x 68 x 88 cm)

(Table top: 57 x 34 cm)

*The colours of the bedside cabinets are perfectly matched to the Rotadorm Care and Mobil.

Bed sheets in special colours

(Pillow clips required)



Peach



Macchiato



Sand



Rose



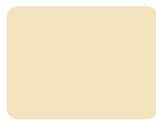
Wool White



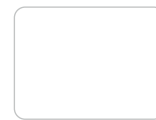
Ash Brown



Lavender



Vanilla



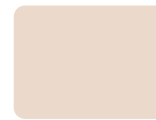
White



Burgundy



Navy



Linen



Basalt



Red



Titanium



Chrome



Black



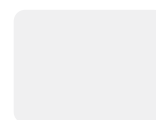
Light Blue



Apple



Steel Blue



Silver



Corn

special beds

Please note that due to technical limitations, the colours of the bed sheets cannot be displayed exactly in the swatches shown here. In addition, the use of different display technologies and your individual display settings can lead to distortions in the colour representation. The names of the colours serve an additional definition of the actual colour.

ISKMed UK Limited · M +44 (0)7759 448 118
greg.whelan@iskomed.com · www.iskomed.com

ISK Koch GmbH · Egerländer Str. 28 · 95448 Bayreuth (GER)
 Tel +49 921 150845-0 · info@iskomed.de · www.iskomed.de

 **Product enquiry**
Rotadorm Care