

standing devices



That's us!



At ISKOMed, we source precision stainless steel elements exclusively from manufacturers in Germany. Further processing takes place in our factory in Bayreuth, where we always keep an eye on quality.

Fully customised on request: Many of our products are also available as custom-made products. Our experienced team ensures the high quality and necessary precision of our high-quality medical products.



We work hand in hand, from development to shell production to final assembly, always in close coordination with the management. That way, we ensure the consistently high quality of our products.

A better quality of life with ISKOMed

ISKOMed, the brand of ISKO Koch GmbH, is synonymous with first-class care: for over 25 years, we have been developing and manufacturing care and special beds, examination and treatment tables, standing devices and mobility aids that are used in inpatient and home care as well as in rehabilitation.

When developing our products, we focus equally on patients and care and therapy staff. We pursue our goals with experience and passion: maximum comfort and thus a better quality of life as well as relief in daily work.

First-class from idea to product

ISKOMed stands for the highest quality in accordance with German and EU specifications: Our products are manufactured according to European guidelines in Bayreuth, among other places, and fulfil the strict requirements of the MDR. This applies both to our standard range and to customised solutions.

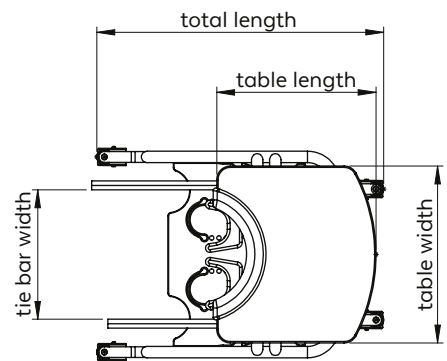
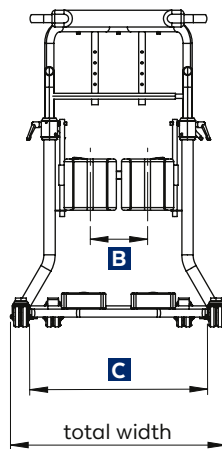
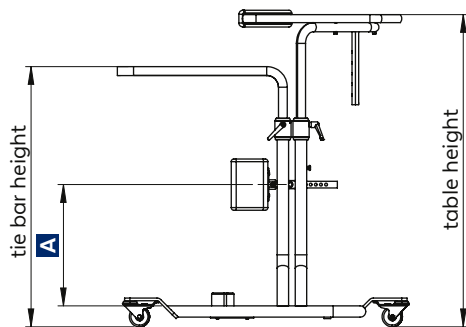
We attach great importance to individuality, because every person is different. That's why you can also order products from ISKOMed that are precisely adapted to the patient and their specific needs.

ISKOMed: Medical products that are known for their durability, safety and stability. You can rely on it.

Product overview

standing devices

	total length [cm]	total width [cm]	spar height [cm]	spar width [cm]	table height [cm]	table width [cm]	table length [cm]	A [cm]	B [cm]	C [cm]
Levacare / Levacare Pro	118	77	84 - 107	48	100 - 130	66	59	41 - 64	21	65
Levatrain	100 - 103	73 - 78	80 - 100	49	100 - 132	64	58	45 - 65	21 - 29	61 - 77
Levatrain Max	100 - 103	84 - 89	80 - 100	57	100 - 132	64	58	45 - 65	21 - 29	61 - 77
Levaflex	100 - 103	73 - 78	80 - 100	49	100 - 132	64	58	45 - 65	21 - 29	61 - 77



Standing devices

Product finder

Find the right standing devices for your requirements:
www.iskomed.de



All ISKOMed standing devices are equipped with a precisely adjusted emergency stop. This brings the electric stand-up device to an immediate standstill when activated. In the event of careless operation or a technical defect in the hand control, the stand-up process is interrupted to protect the patient from overextension or entrapment. This

emergency stop function is activated by touching the round mechanism with the lower abdomen.

Daily standing training is an important part of rehabilitation programmes after accidents and for people with permanent physical impairments. Professional standing devices prepare patients for gait training or provide a measure of independence and well-being every day.

For people who are not (or no longer) able to stand independently, standing training has a number of positive effects on body and soul: in addition to circulatory training, osteoporosis prophylaxis, emptying of the upper urinary tract, contracture prophylaxis and improved breathing, the change in perspective is also important. When standing, the patient can perceive the room and their own height better and becomes an active part of their surroundings.

Handles, belt holding systems or electric stand-up devices make it easier to stand up with standing devices. The construction of a sturdy tubular steel frame, a height-adjustable table and foot fixings ensures a secure stand. The devices are suitable for patients with a height of 120 to 220 cm and a weight of up to 200 kg.

Our standing devices have been used professionally in rehabilitation and care facilities for over 20 years, as well as in patients' homes. The proven classic in the Levacare Pro version can also be found in the GKV's list of medical aids.

In our product overview you will find various standing devices with their basic equipment. On the ISKMed website, you can configure a standing device optimally for the patient thanks to a large selection of accessories, e.g. with a battery box, a pad or table edges.

Levacare / Levacare Pro

The standing device for rehab and your home

standing devices



Height adjustable belt system

Pneumatically assisted table height adjustment

Stainless steel handrails height-adjust. in parallel

Max. patient weight 120 kg



◀ The multifunctional knee pads are included as standard with all standing devices.

They can be adjusted horizontally, vertically and in depth and have an integrated angle adjustment that adapts to the leg/ knee position during use.



Standing devices are among the most important devices in rehabilitation and care. The stable design of the **Levacare** gives patients a firm, secure hold during their daily standing training. The standard version of the Levacare is supplied without a belt system, while the Pro version has an electric stand-up device.

Product details

- | Table cut-out with ergonomic belly pad
- | Foot plate with heel cups and toe fixation
- | Lift support harness (size S, M or L)
- | Sturdy tubular steel construction in blue or brown
- | Wooden elements made of multiplex with high-strength HPL coating
- | 4 Double swivel castors with total locking
- | Integrated suction-blow control on the Levacare Pro

Produkt enquiry: Levacare / Levacare Pro



- | Aid numbers for health insurance companies:
28.29.01.1025 Levacare
28.29.01.1026 Levacare Pro

Levatrain

The functional and inexpensive standing device



Electric belt system with premium **linear drive**

Pneumatically assisted **table height adjustment**

Stainless steel handrails height-adjust. in parallel

Max. **patient weight** 120 kg



◀ *The integrated table height adjustment is very smooth-running thanks to gas spring support.*

▶ *The standard swivelling rear wheels make it easier to drive the wheelchair into the standing device. This is particularly advantageous for wheelchairs with wider seats.*



standing devices

The **Levatrain** standing device has an integrated electric belt system and makes it easier to stand up while providing a stable support. The trapezoidal base frame and the swivelling rear wheels also allow the standing device to be used by patients with wider wheelchairs.

Product details

- | Table cut-out with ergonomic belly pad
- | Foot plate with heel cups and toe fixation
- | Electric belt system
- | Lift support harness (size S, M or L)
- | Sturdy tubular steel construction in blue or silver
- | Widenable access area
- | Wooden elements made of multiplex with high-strength HPL coating
- | Swivelling rear wheels
- | 4 double swivel castors with total locking

Produkt enquiry: Levatrain



Levatrain Max

The standing device for obese patients

standing devices

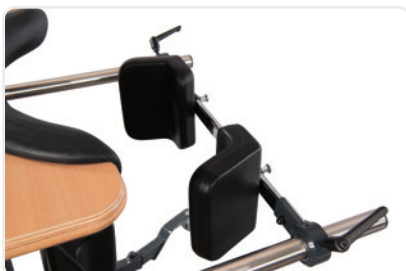


Suitable for
XL wheelchairs

Pneumatically
assisted
**table height
adjustment**

Wider
**stainless steel
handrails**

Max.
**patient
weight
200 kg**



◀ Both the stainless steel handrails and the base frame of the Levatrain Max are particularly wide, so that access with XL wheelchairs is possible and obese patients can be accommodated easily.

The **Levatrain Max** was specially developed for obese patients. The reinforced footplate and wider, highly stable frame for XL wheelchairs allow patients weighing up to 200 kg to stand firmly.

Product details

- | Table cut-out with ergonomic belly pad
- | Parallel height adjustable handrails
- | Reinforced foot plate with heel cups and toe fixation
- | Electric belt system
- | Lift support harness (size S, M, L or XL)
- | Sturdy, extra wide tubular steel construction in anthracite grey
- | Particularly wide access area
- | Wooden elements made of multiplex with high-strength HPL coating
- | Swivelling rear wheels
- | 4 double swivel castors with total locking

Produkt enquiry: Levatrain Max



Levaflex

The ergonomic standing device

Swivelling
rear wheels

Synchronised
operation
of belt and
tilt motor

Pneumatically
assisted
table height
adjustment

Max.
patient
weight
120 kg



◀ The tilt function makes it easier to get up and put down and is less stressful for the patient.

▶ The tilt and automatic seat belt functions can be switched synchronously or separately.



The **Levaflex** is the standing device with the highest functionality. The arm rails, knee support and footplate are tilted towards the patient before standing up or sitting down, making the process easier. The patient's knees and behind are under less strain thanks to the tilt function, with the usual stability and safety.

Product details

- | Ergonomically adjustable knee guide
- | Table cut-out with ergonomic belly pad
- | Foot plate with heel cups and toe fixation
- | Electric belt system
- | Lift support harness (size S, M or L)
- | Sturdy tubular steel construction in blue or silver
- | Wooden elements made of multiplex with high-strength HPL coating
- | Swivelling rear wheels
- | 4 double swivel castors with total locking

Produkt enquiry: Levaflex



ISKO Koch GmbH

Egerländer Str. 28

95448 Bayreuth

Germany

Tel +49 921 150845-0

Fax +49 921 150845-45

info@iskomed.de